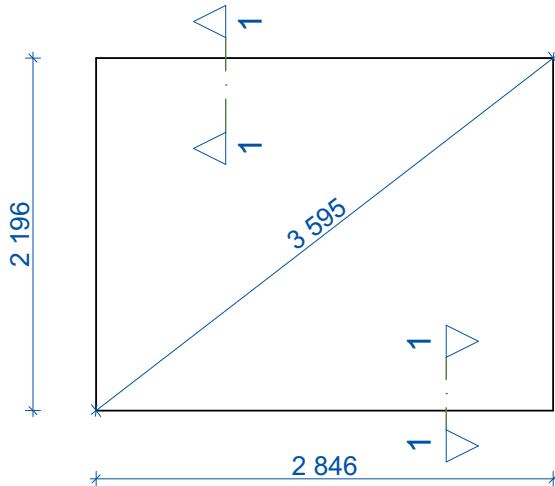
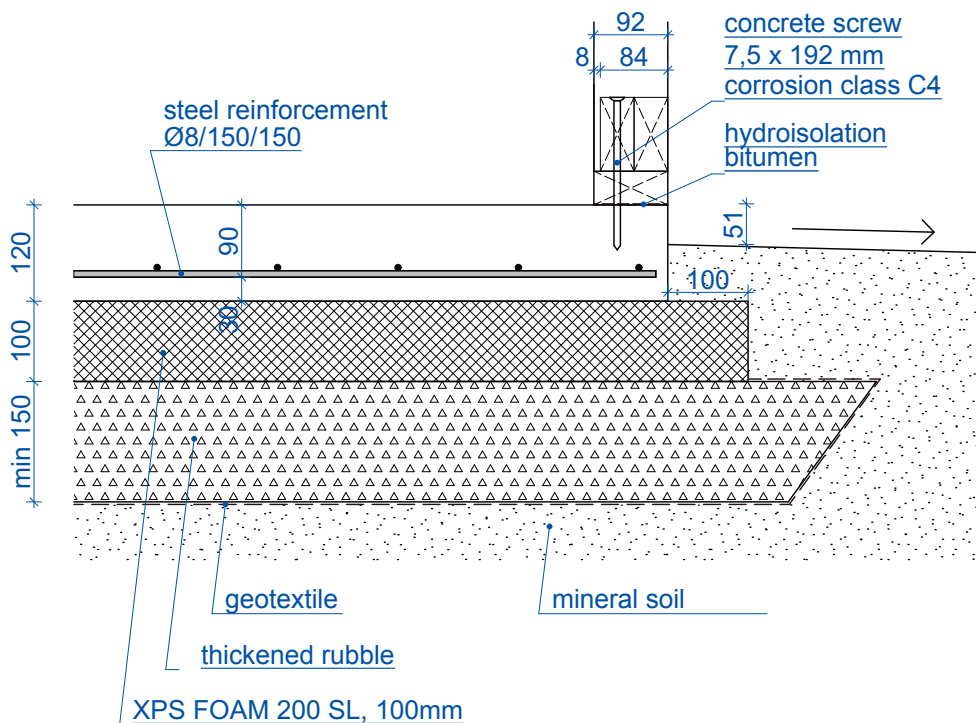


# OPTION 1 - PLATE FOUNDATION



**Foundation plan M 1:50**

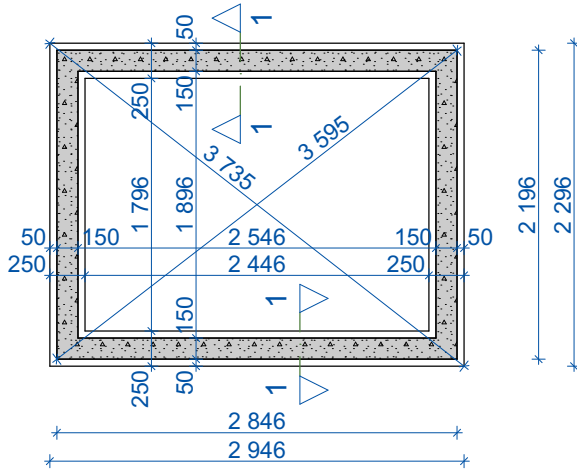


**Foundation section M 1:10**

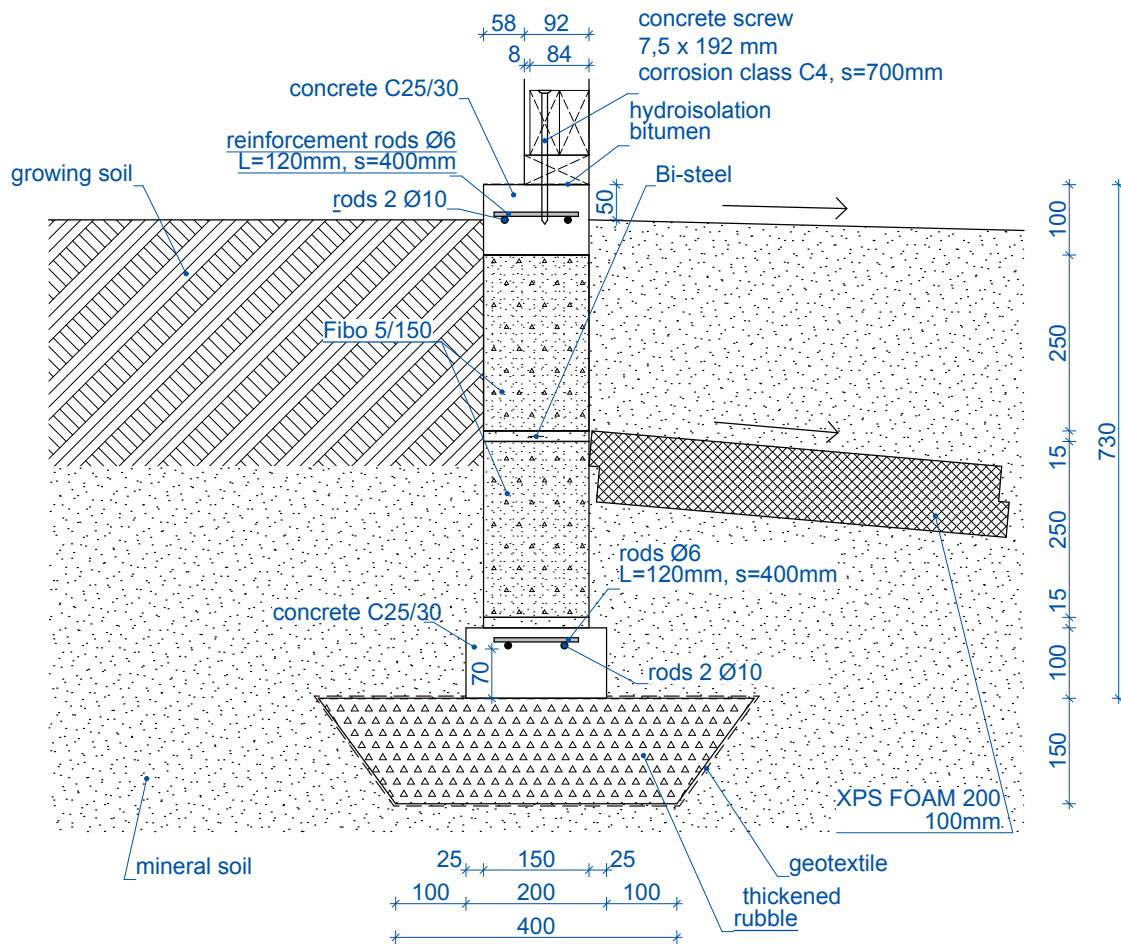
**Notes:**

1. Foundation concrete plate type C25/30, environmental class XC2.
2. Reinforcing bars are weldable rib bars, yield strength  $f_{yk}=400\text{...}600$  MPa.
3. Thickened rubble thickness factor 0,95.

# OPTION 2 – BELT FOUNDATION



**Foundation plan M 1:50**



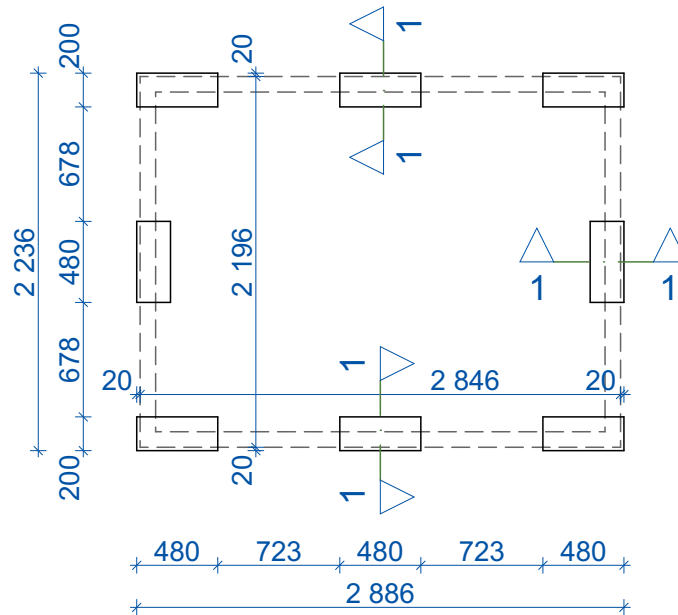
**Foundation section M 1:10**

**Notes:**

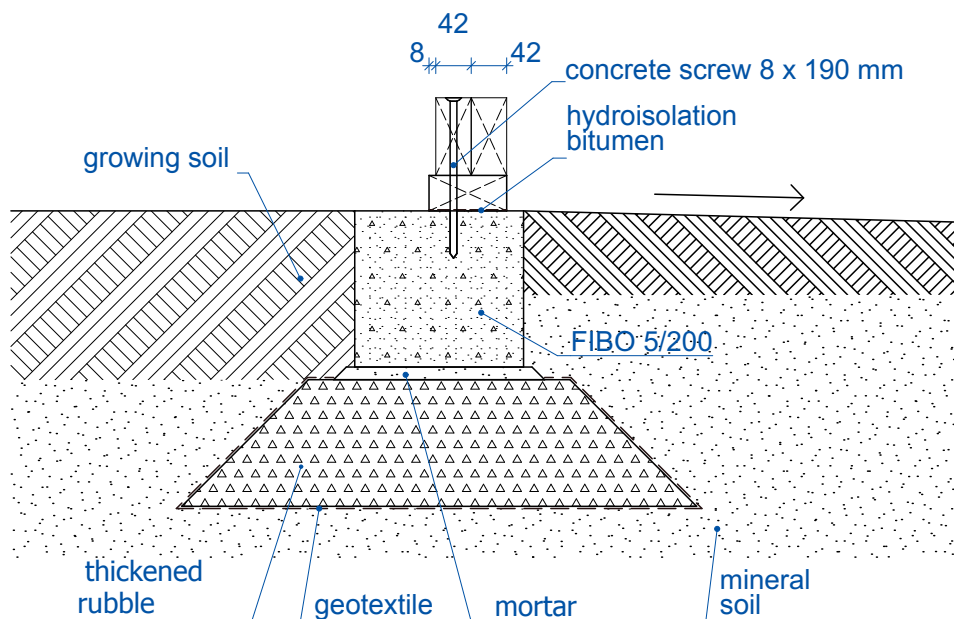
1. Foundation concrete plate type C25/30, environmental class XC2.
2. Reinforcing rods are weldable rib rods, yield strength  $f_{yk}=400...600$  MPa.
3. Thickened rubble thickness factor 0,95.
4. Lay bricks with full horizontal and vertical joints, mortar paste compression strength min 20 MPa.
5. Bi-steel fully inside brick mortar.
6. When laying blocks, use a wall mixture with normal compressive strength 8MPa.
7. In case of high groundwater, solve the foundation with the drainage system.



## OPTION 3 - LIGHT FOUNDATION



**Foundation plan M 1:50**



**Foundation section M 1:10**