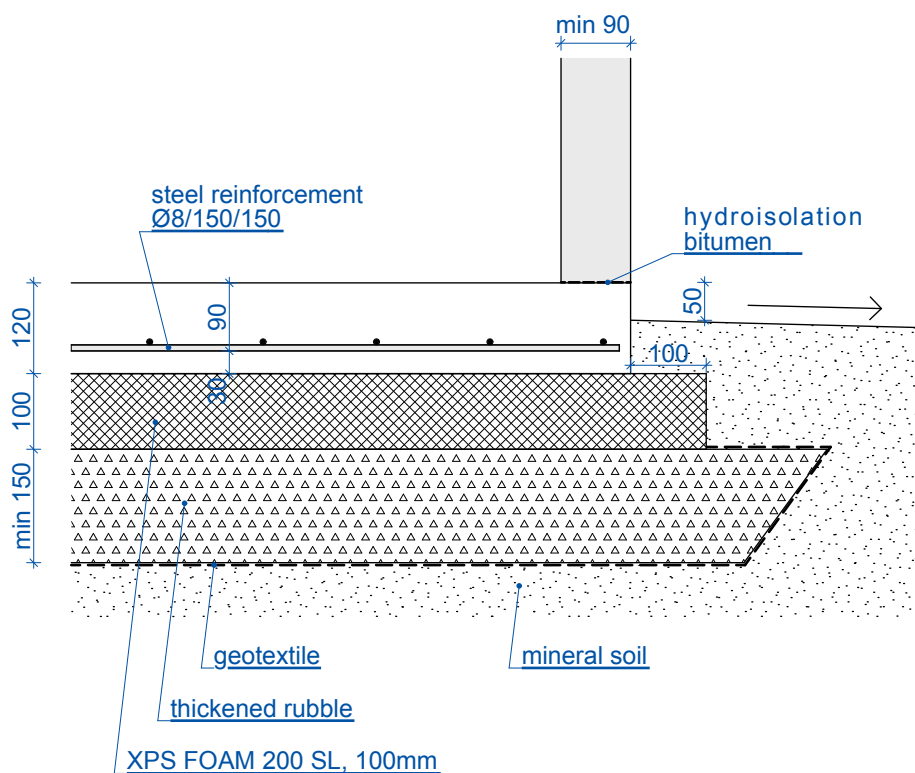



**Foundation plan M 1:50**

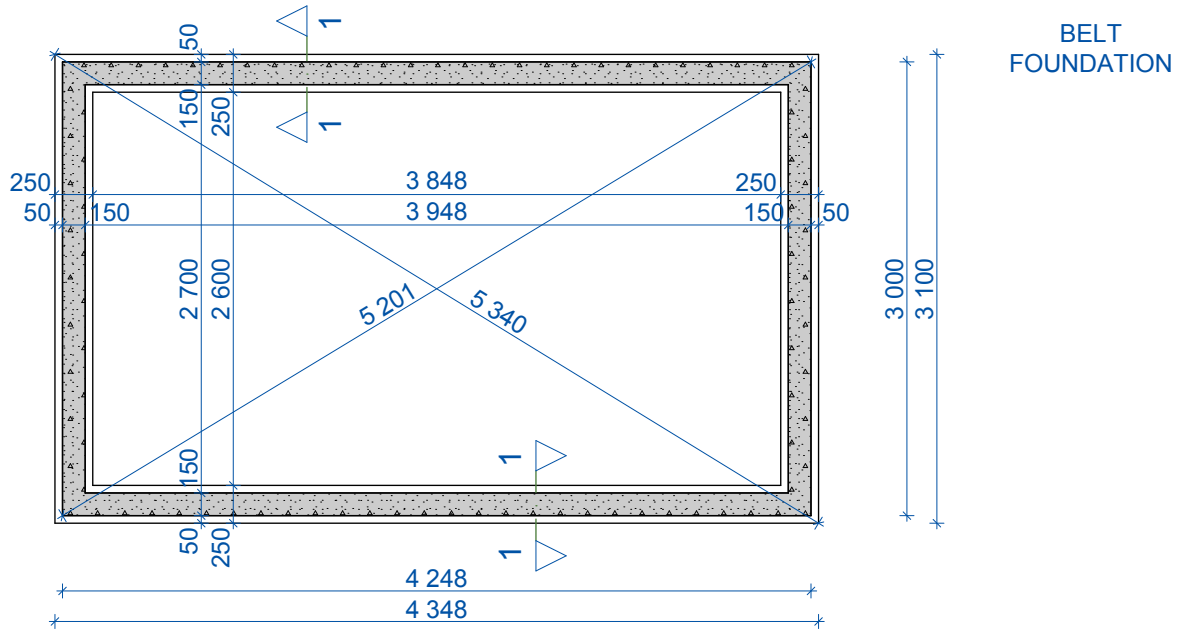


**Foundation section M 1:10**

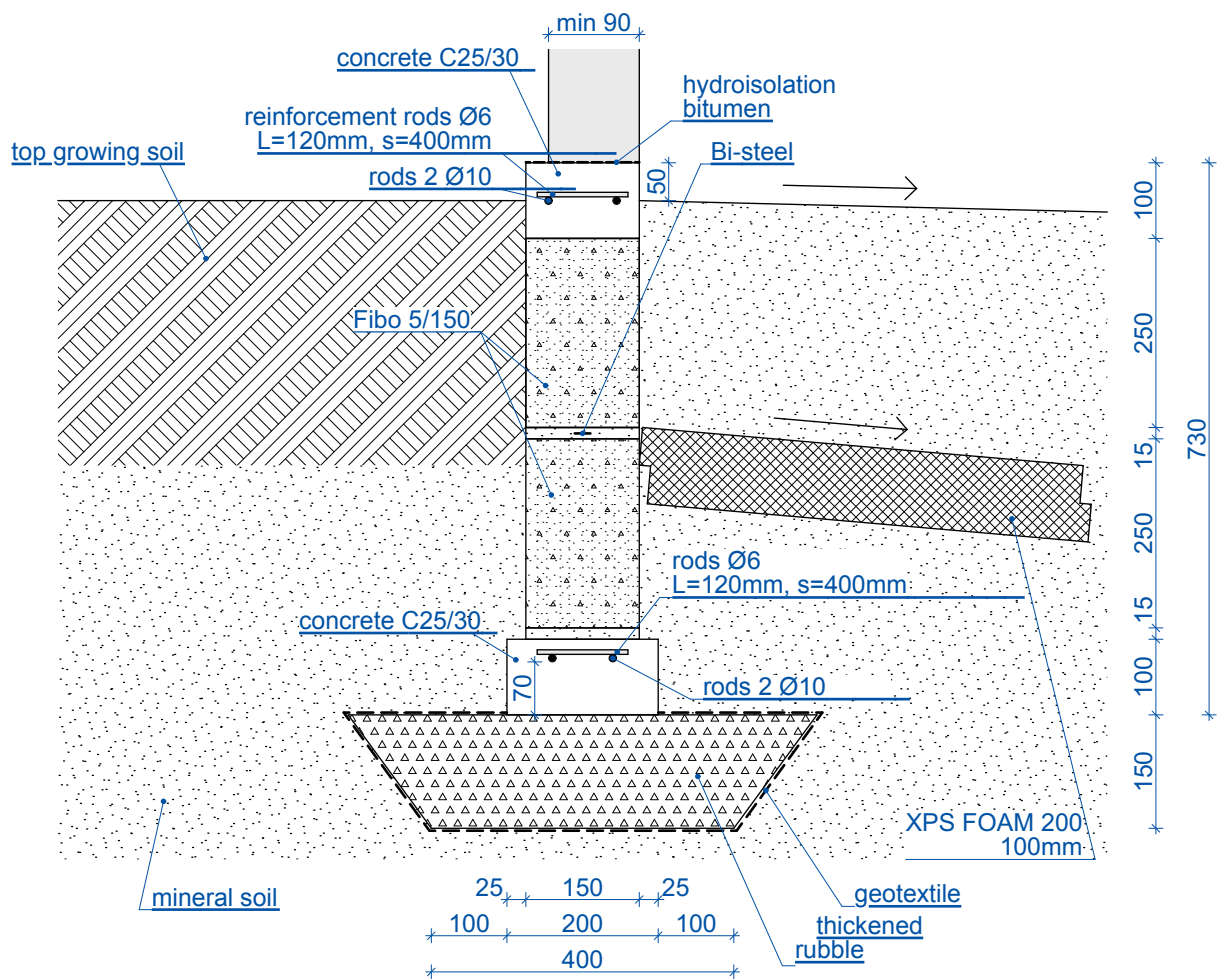
**Notes:**

1. Foundation concrete plate type C25/30, environmental class XC2.
2. Reinforcing bars are weldable rib bars, yield strength  $f_{yk}=400...600$  MPa.
3. Thickened rubble thickness factor 0,95.

 <b>LAHE PRODUCTION OÜ</b>	work	Greenhouse Lähe	stadium	TP
		Contact: Lahe Production OÜ, phone +372 5207896, e-mail hello@lahehouse.com Solutions have been developed by Lahe Production OÜ This document is intellectual property of Lahe Production OÜ, unauthorized use and copying is prohibited!	work nr.	012021
architect	owner	Lahe Production OÜ	version	12.02.2021
engineer	drawing	Lähe N05 Plate foundation plan and section cut	scale	1:10, 1:50
			drawing nr.	EK-5-02




**Foundation plan M 1:50**



**Foundation section M 1:10**

**Notes:**

1. Foundation concrete plate type C25/30, environmental class XC2.
2. Reinforcing rods are weldable rib rods, yield strength  $f_{yk}=400\text{...}600$  MPa.
3. Thickened rubble thickness factor 0,95.
4. Lay bricks with full horizontal and vertical joints, mortar paste compression strength min 20 MPa.
5. Bi-steel fully inside brick mortar
6. When laying blocks, use a wall mixture with normal compressive strength 8MPa.
7. In case of high groundwater, solve the foundation with the drainage system.

 <b>LAHE PRODUCTION OÜ</b>	work <b>Greenhouse Lähe</b> <small>Contact: Lahe Production OÜ, phone +372 5207896, e-mail hello@lahehouse.com          Solutions have been developed by Lahe Production OÜ.          This document is intellectual property of Lahe Production OÜ, unauthorized use and copying is prohibited!</small>	stadium <b>TP</b>
	owner <b>Lahe Production OÜ</b>	work nr. <b>012021</b>
architect <b>Maret Rosenberg</b>	drawing <b>Lähe N05 Belt foundation plan and section cut</b>	version <b>12.02.2021</b>
engineer <b>Peep Rosenberg</b>		scale <b>1:50, 1:10</b>
		drawing nr. <b>EK-5-06</b>

STONE WALL

